

RECYFIX NC

Highly stable and lightweight - linear drainage made of PP for Civils engineering.



**Building material stockage,
SFS unimarket, Switzerland**



RECYFIX NC

Highly stable and lightweight - linear drainage made of PP for Civils engineering.

1 Requirements

Modern drainage systems must

- permanently withstand to high loads and large forces.
- be easy to install.
- be resistant to environmental influences (frost, heat, humidity).
- comply with DIN EN 1433.

3 Solutions

RECYFIX NC channels:

- channels made of PP for civil engineering
- load capacity up to E 600 according to EN 1433
- maximum security through 8-fold bolt fixing
- very lightweight, quick and cost saving installation.

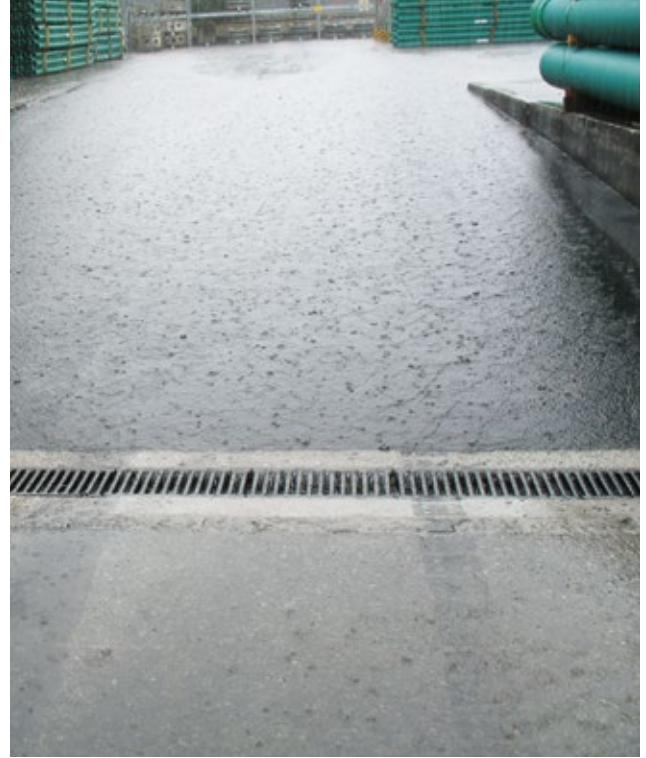
2 Application areas

- traffic areas for industry
- loading and unloading zones
- car parks
- pedestrian areas
- public areas
- petrol stations





Loading and unloading zones



Access ways



Logistic areas



Car parks

FASERFIX® SUPER
FASERFIX® KS
FASERFIX® BIG SLG
FASERFIX® BIG BLS
RECYFIX® PLUS X
RECYFIX® NC
RECYFIX® MONOTEC
RECYFIX® HICAP-F
FASERFIX® POINT KS
FASERFIX® TRAFFIC GUGIBLOC RECYFIX® TRAFFIC GUGIBLOC
SERVICE CHANNEL

RECYFIX NC

Highly stable and lightweight - linear drainage made of PP for Civils engineering.

SFS unimarket, Switzerland, sees positive results with the installation of RECYFIX NC: Heavily-trafficked storage area holds up against enormous dynamic loads.

RECYFIX channels have mastered their ability in heavy-duty traffic areas. This has been proven in a practical test with exceptional results in a material storage area at the Swiss builders-merchants SFS unimarket. The heavily-frequented RECYFIX NC channels drain the material storage area reliably and safely.

Exceptionally high demands:

- high thrust forces and point loads
- ramp is heavily frequented
- maximum weight load due to daily forklift traffic (strong shear forces/point loads)

Customer review:

„Two years after installation, there are no changes whatsoever. No cracks, fractures, subsidence or other wear and tear have been found despite the heavy loads. We have put this product to the test and can recommend it to our customers without any hesitation“, says Bruno Tollardo, Logistics Manager at SFS unimarket in Altstätten.

Installation of drainage channels:

- RECYFIX NC 200, type 010 with ductile iron grating, load class E 600
- at lower end of the ramp (due to local conditions and hydraulic calculations)





FASERFIX® SUPER
FASERFIX® KS
FASERFIX® BIG SLG
FASERFIX® BIG BLS
RECYFIX® PLUS X
RECYFIX® NC
RECYFIX® MONOTEC
RECYFIX® HICAP-PF
FASERFIX® POINT KS
FASERFIX® TRAFFIC GUGIBLOC RECYFIX® TRAFFIC GUGIBLOC
SERVICE CHANNEL

YOUR BENEFITS WITH RECYFIX NC

VERY HIGH STABILITY

- massive ductile iron grating
- **RECYFIX** NC 100, 200, 300: load class E 600
- **RECYFIX** NC 400: load class D 400
- 8-fold bolted per metre

= QUALITY- & PERFORMANCE ASSURED



INTEGRATED ANGLE HOUSING

- according to EN 1433,
- molded as integral part of the channel body (made of PP)
- ridges to stop any lateral movement

= PERFORMANCE ASSURED



EASY HANDLING ON SITE

- much lighter than channels made of polymer / resin concrete
 - easy transport and installation
- Example (complete system - 1 m channel incl. gratings)
NW 100 = 10.7 kg, NW 200 = 20.8 kg

= TIME- & COST SAVINGS



HIGH-GRADE MATERIAL

- **RECYFIX** - stable and almost unbreakable
- elastic and especially robust material
- withstands high loads and temperature differences in daily use
- 100 % recycled composite body (and also 100 % recyclable) → 100 % environmentally friendly
- 0 % water absorption
- smooth inner surface for superior flow characteristics
- non-conductive
- PP channel body can be cut, drilled and worked easily on site

= QUALITY- & PERFORMANCE ASSURED



HIGH RESISTANCE

- high resistance against frost, de-icing salt and UV-rays
- withstands high temperature differences
- for climate ranges from - 50 °C to + 80 °C and more

= QUALITY ASSURED / LONGEVITY



PRE-ASSEMBLED READY FOR INSTALLATION

- channel and grating = one part
- no spare parts
- easy handling in stock and on construction site
- cost-efficient transport

= BETTER GROSS MARGIN



SELF-CENTERING BOLT

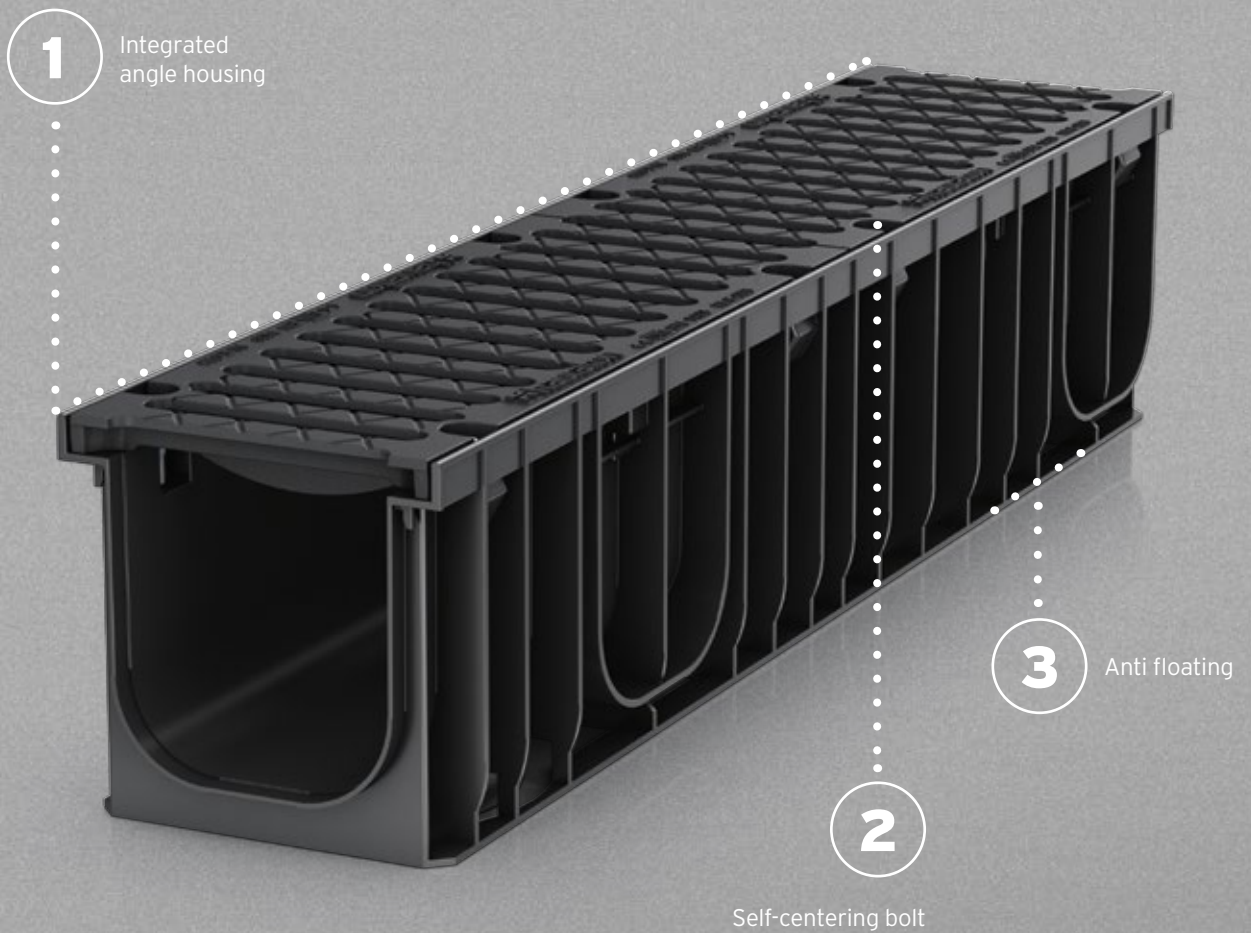
- the bolt automatically finds the right position
- bolts easily detachable even after years of use

= QUALITY ASSURED / COST SAVINGS



IDEAL FOR ...

heavy duty applications with higher traffic up to class E 600, such as car parks, industrial estates and petrol stations.



The lightest heavy-duty channel

Also available as the first channel made of **polypropylene (PP)** with nominal width 400

RECYFIX NC

Highly stable and lightweight - linear drainage made of PP for Civils engineering.

RECYFIX NC channels meet the requirements of DIN EN 1433 and are suitable for the following load categories:



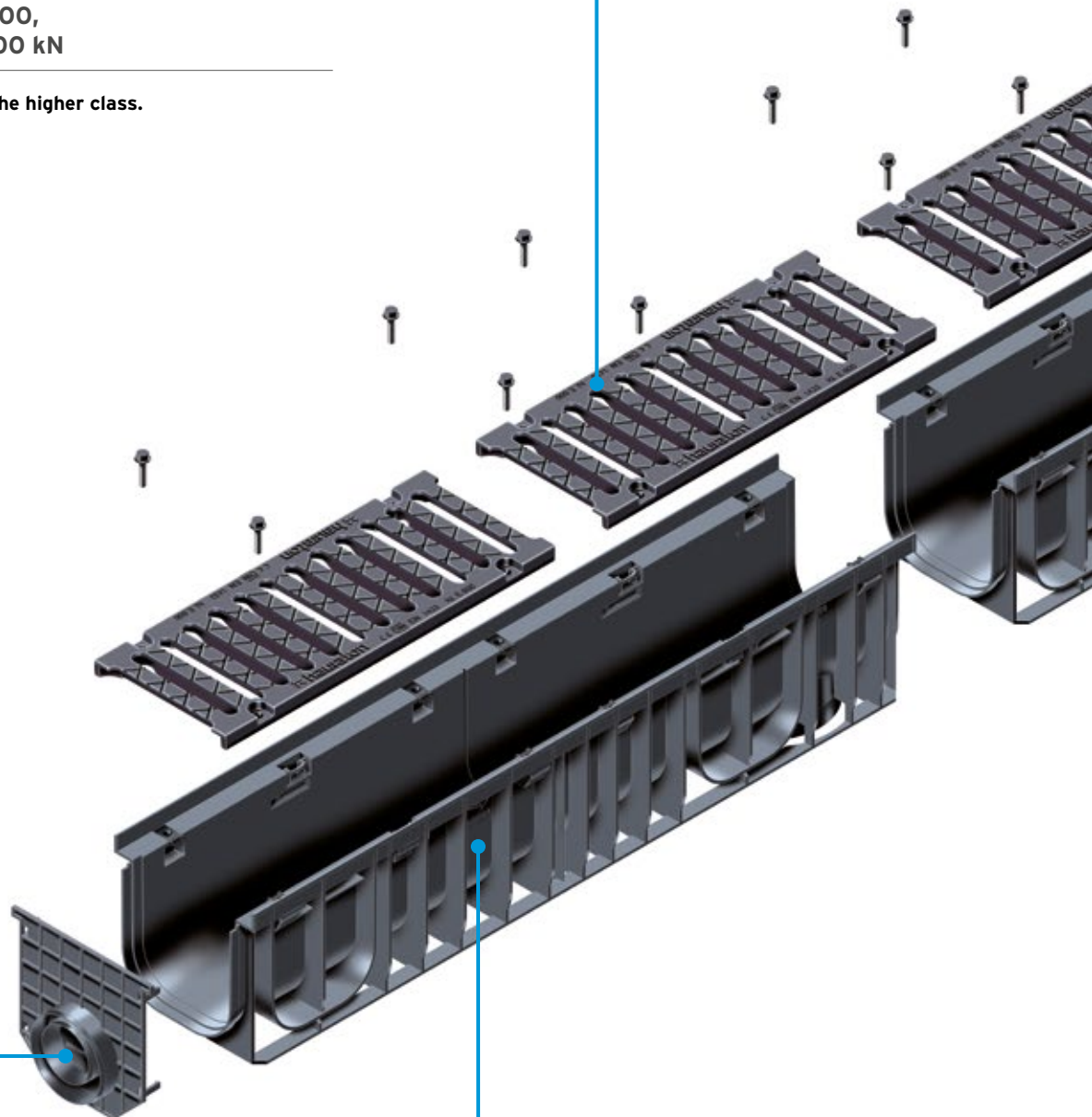
Category D 400,
Load class 400 kN



Category E 600,
Load class 600 kN

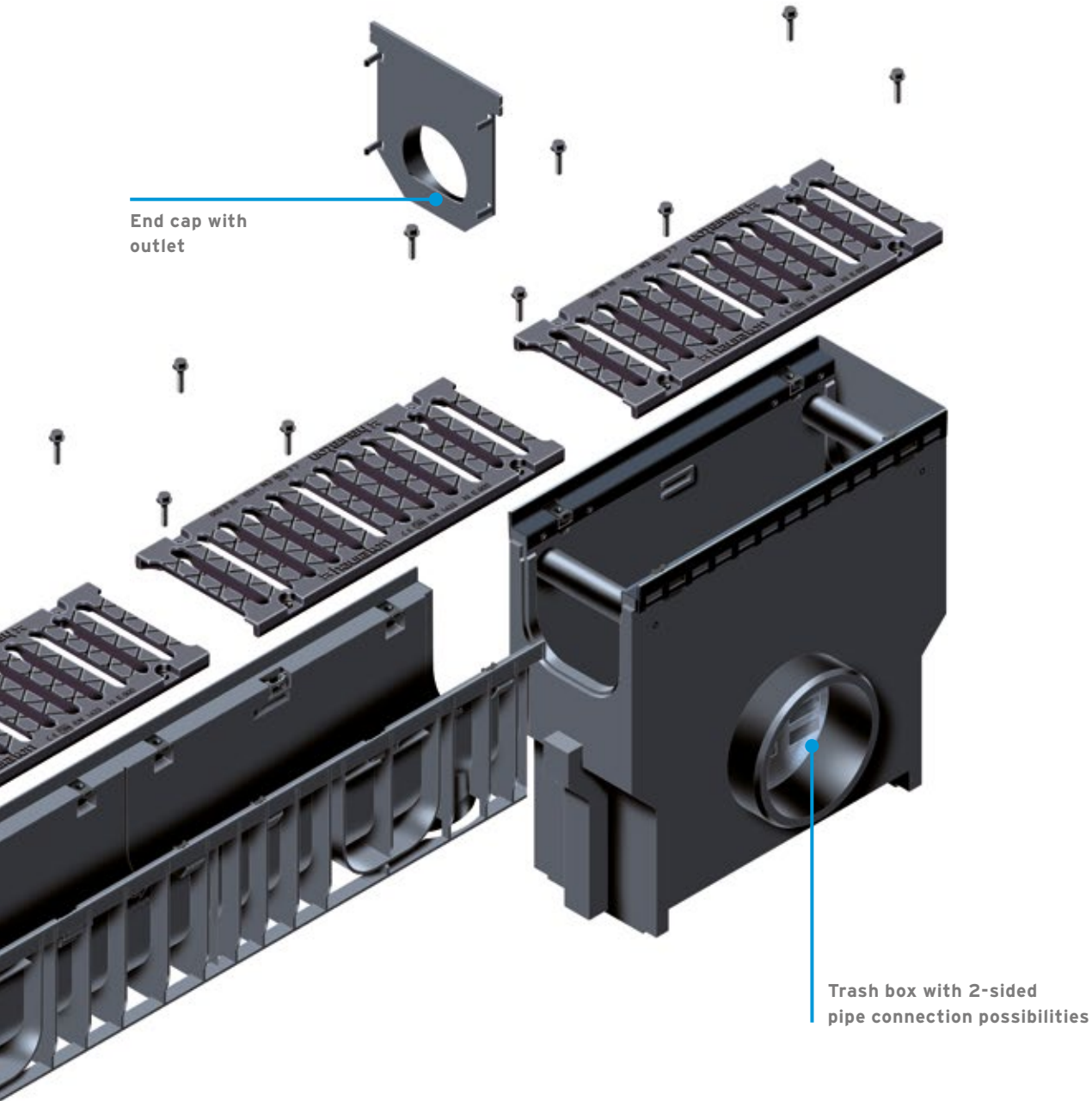
If in doubt, always select the higher class.

Stable ductile iron grating
made of durable spheroidal
ductile iron



End cap without
outlet

Channels made of PP with integrated
angle housing, according to
DIN V 19580/EN 1433, with
groove and tongue
connection for exact installation



End cap with outlet

Trash box with 2-sided pipe connection possibilities

Widths and heights of **RECYFIX®NC**:



Nominal sizes	100			150			200			300			400		
Type 75	160	75	55	-	-	-	-	-	-	-	-	-	-	-	-
Type 01	160	150	122	212	210	180	-	-	-	-	-	-	-	-	-
Type 010	160	200	172	-	-	-	262	200	172	362	360	320	500	500	456
Type 020	160	250	222	-	-	-	-	-	-	-	-	-	-	-	-

Width/Height/Inside height (in mm)

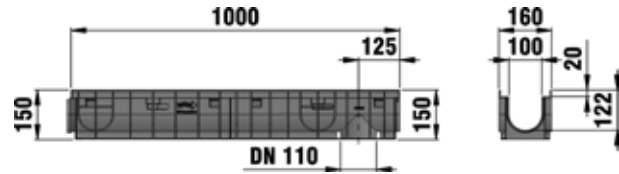
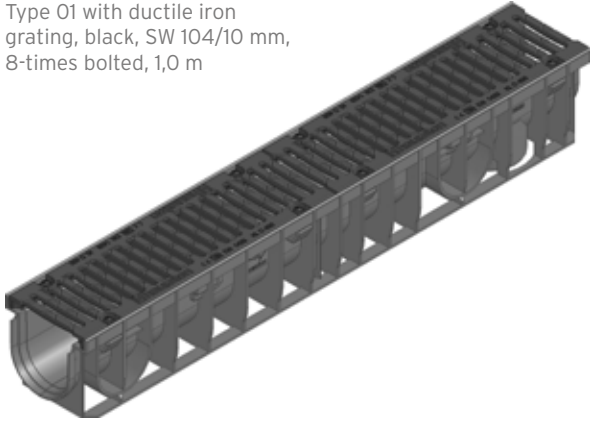
- FASERFIX® SUPER
- FASERFIX® KS
- FASERFIX® BIG-SLG
- FASERFIX® BIG-BLS
- RECYFIX® PLUS X
- RECYFIX® NC
- RECYFIX® MONOTEC
- RECYFIX® HICAP-PF
- FASERFIX® POINT KS
- FASERFIX® TRAFFIC-GUGIBLOC
RECYFIX® TRAFFIC-GUGIBLOC
- SERVICE CHANNEL

RECYFIX®NC 100

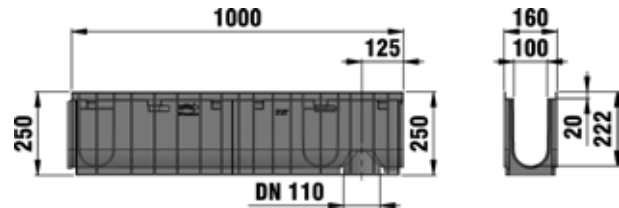
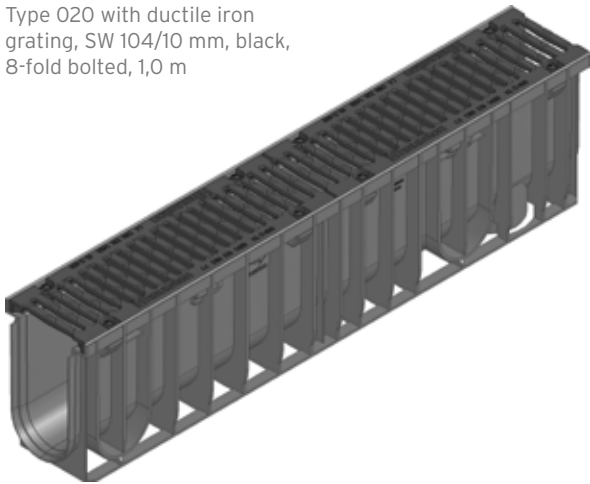
Combi article

RECYFIX®NC 100, class D 400

Type 01 with ductile iron grating, black, SW 104/10 mm, 8-times bolted, 1,0 m



Type 020 with ductile iron grating, SW 104/10 mm, black, 8-fold bolted, 1,0 m

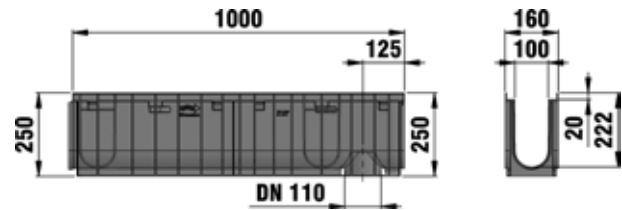
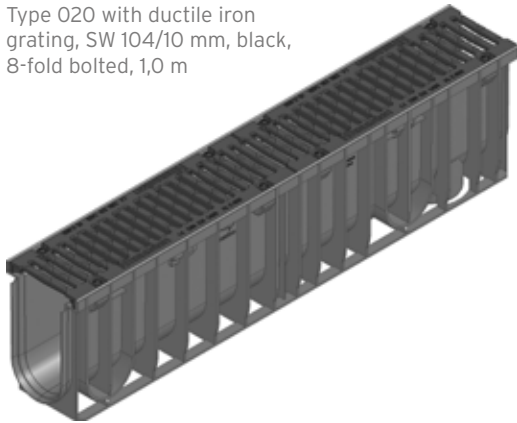


	Length mm	Width mm	Height mm	Internal channel cross-sect. cm ²	Intake cross-sect. cm ² /m	Weight kg	Item No.
Type 01 with ductile iron grating, black, SW 104/10 mm, 8-times bolted, 1,0 m	1000	160	150	92	427	10,67	48771
Type 0105 with ductile iron grating, black, SW 104/10 mm, 4-times bolted, 0,5 m	500	160	150	92	427	5,43	48746
Type 010 with ductile iron grating, black, SW 104/10 mm, 8-times bolted, 1,0 m	1000	160	200	142	427	11,60	48773
Type 01005 with ductile iron grating, black, SW 104/10 mm, 4-times bolted, 0,5 m	500	160	200	142	427	5,74	48745
Type 020 with ductile iron grating, SW 104/10 mm, black, 8-fold bolted, 1,0 m	1000	160	250	192	427	12,50	48777
Type 02005 with ductile iron grating, SW 104/10 mm, black, 8-fold bolted, 0,5 m	500	160	250	192	427	6,20	48779
Type 75 with ductile iron grating, SW 104/10 mm, black, 8-fold bolted, 1,0 m	1000	160	75	35	427	10,26	48775

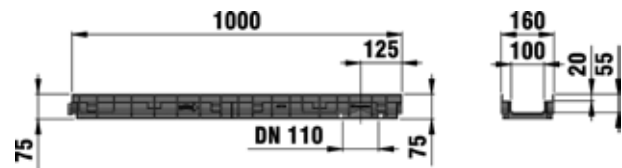
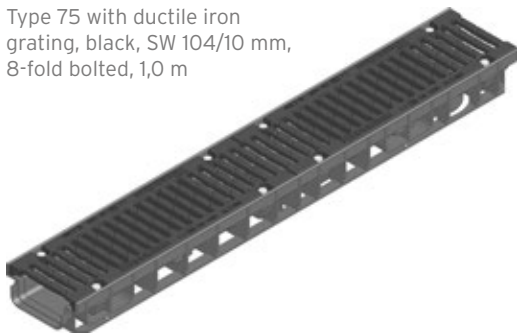
RECYFIX® NC 100

RECYFIX® NC 100, class E 600

Type 020 with ductile iron grating, SW 104/10 mm, black, 8-fold bolted, 1,0 m



Type 75 with ductile iron grating, black, SW 104/10 mm, 8-fold bolted, 1,0 m



	Length mm	Width mm	Height mm	Internal channel cross-sect. cm ²	Intake cross-sect. cm ² /m	Weight kg	Item No.
Type 01 with ductile iron grating, black, SW 104/10 mm, 8-fold bolted, 1,0 m	1000	160	150	92	427	10,70	48770
Type 0105 with ductile iron grating, black, SW 104/10 mm, 4-fold bolted, 0,5 m	500	160	150	92	427	5,43	48748
Type 010 with ductile iron grating, black, SW 104/10 mm, 8-fold bolted, 1,0 m	1000	160	200	142	427	11,92	48772
Type 01005 with ductile iron grating, black, SW 104/10 mm, 4-fold bolted, 0,5 m	500	160	200	142	427	5,80	48747
Type 020 with ductile iron grating, SW 104/10 mm, black, 8-fold bolted, 1,0 m	1000	160	250	192	427	12,50	48776
Type 02005 with ductile iron grating, SW 104/10 mm, black, 4-fold bolted, 0,5 m	500	160	250	192	427	6,32	48778
Type 75 with ductile iron grating, SW 104/10 mm, black, 8-fold bolted, 1,0 m	1000	160	75	35	427	10,23	48774

FASERFIX®
SUPER

FASERFIX®
KS

FASERFIX®
BIG-SLG

FASERFIX®
BIG-BLS

RECYFIX®
PLUS X

RECYFIX®
NC

RECYFIX®
MONOTEC

RECYFIX®
HICAP-PF

FASERFIX®
POINT KS

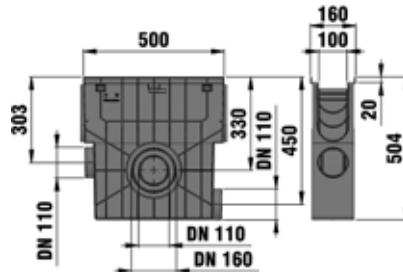
FASERFIX®
TRAFFIC GUGIBLOC
RECYFIX®
TRAFFIC GUGIBLOC

SERVICE
CHANNEL

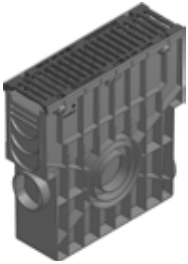
RECYFIX® NC 100

Accessories

Trash boxes



Trash box with PP mud bucket and ductile iron grating, black, SW 10 mm, class D 400, 4-fold bolted, 0,5 m



Trash box with plastic bucket, with ductile iron grating, black, SW 10 mm, class E 600, 4-fold bolted, 0,5 m

	Length mm	Width mm	Height mm	Weight kg	Item No.
Trash box with PP mud bucket and ductile iron grating, black, SW 10 mm, class D 400, 4-fold bolted, 0,5 m	500	160	504	8,79	48754
Trash box with plastic bucket, with ductile iron grating, black, SW 10 mm, class E 600, 4-fold bolted, 0,5 m	500	160	504	8,86	48753

RECYFIX® NC 100

End caps



End cap closed for type 01



End cap made of PP with outlet DN/OD 110, type 01



End cap type 75

	Length mm	Width mm	Height mm	Weight kg	Item No.
End cap closed for type 01	-	160	124	0,04	48681
End cap made of PP with outlet DN/OD 110, type 01	-	160	201	0,08	48691
End cap closed for type 010	-	160	176	0,05	47082
End cap made of PP with outlet DN/OD 110, type 010	-	160	201	0,11	47093
End cap made of PP, type 020	-	160	250	0,12	48683
End cap made of PP with outlet DN/OD 110, type 020	-	160	250	0,12	48695
End cap type 75	-	160	61	0,03	47097

Further accessories



Step Fall Adapter for step slope, from type 01 to type 010, from type 010 to type 020

	Length mm	Width mm	Height mm	Weight kg	Item No.
Step Fall Adapter for step slope, from type 01 to type 010, from type 010 to type 020	189	108	88	0,21	48790
Universal sealant/adhesive Siga-Meltell® 320 black**	-	-	-	0,97	19051
Tubular pistol for universal sealant/adhesive Siga-Meltell® 320 black**	-	-	-	1,30	6891
Holesaw, Ø 102 mm, with tool holder for a driller	-	-	-	0,60	980

**Amount needed for Type 020: approx. 22 ml per joint

FASERFIX®
SUPER

FASERFIX®
KS

FASERFIX®
BIG-SLG

FASERFIX®
BIG-BLS

RECYFIX®
PLUS X

RECYFIX®
NC

RECYFIX®
MONOTEC

RECYFIX®
HICAP-PF

FASERFIX®
POINT KS

FASERFIX®
TRAFFIC GUGIBLOC
RECYFIX®
TRAFFIC GUGIBLOC

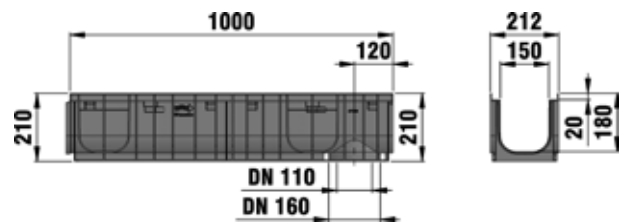
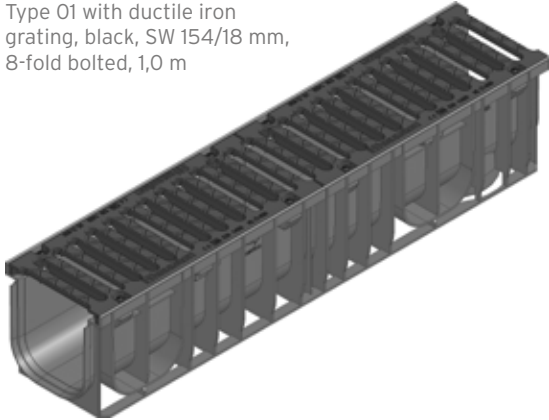
SERVICE
CHANNEL

RECYFIX®NC 150

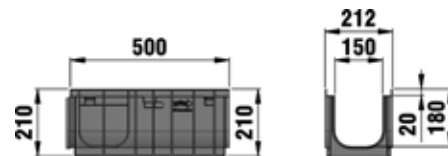
Combi article

RECYFIX®NC 150, class D 400

Type 01 with ductile iron grating, black, SW 154/18 mm, 8-fold bolted, 1,0 m



Type 0105 with ductile iron grating, black, SW 154/18 mm, 4-fold bolted, 0,5 m

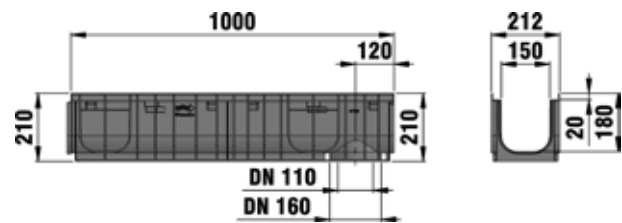
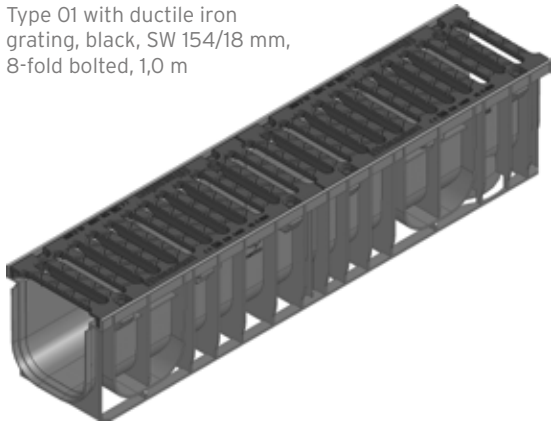


	Length mm	Width mm	Height mm	Internal channel cross-sect. cm ²	Intake cross-sect. cm ² /m	Weight kg	Item No.
Type 01 with ductile iron grating, black, SW 154/18 mm, 8-fold bolted, 1,0 m	1000	212	210	230	702	15,73	48871
Type 0105 with ductile iron grating, black, SW 154/18 mm, 4-fold bolted, 0,5 m	500	212	210	230	702	7,88	48847

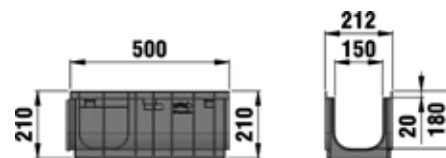
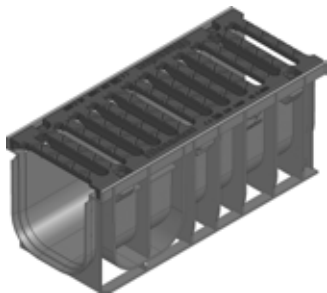
RECYFIX® NC 150

RECYFIX® NC 150, class E 600

Type 01 with ductile iron grating, black, SW 154/18 mm, 8-fold bolted, 1,0 m



Type 0105 with ductile iron grating, black, SW 154/18 mm, 4-fold bolted, 0,5 m



	Length mm	Width mm	Height mm	Internal channel cross-sect. cm ²	Intake cross-sect. cm ² /m	Weight kg	Item No.
Type 01 with ductile iron grating, black, SW 154/18 mm, 8-fold bolted, 1,0 m	1000	212	210	230	702	15,74	48870
Type 0105 with ductile iron grating, black, SW 154/18 mm, 4-fold bolted, 0,5 m	500	212	210	230	702	7,88	48848

FASERFIX®
SUPER

FASERFIX®
KS

FASERFIX®
BIG-SLG

FASERFIX®
BIG-BLS

RECYFIX®
PLUS X

RECYFIX®
NC

RECYFIX®
MONOTEC

RECYFIX®
HICAP-PF

FASERFIX®
POINT KS

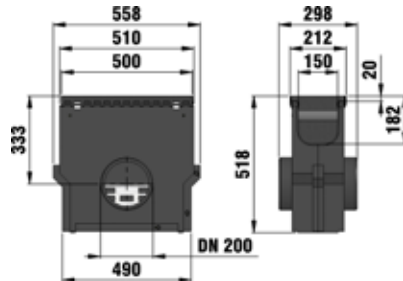
FASERFIX®
TRAFFIC GUGIBLOC
RECYFIX®
TRAFFIC GUGIBLOC

SERVICE
CHANNEL

RECYFIX® NC 150

Accessories

Trash boxes



Trash box with galvanised bucket,
with ductile iron grating, black, SW 18 mm,
class D 400, 4-fold bolted, 0,5 m



Trash box with galvanised bucket,
with ductile iron grating, black, SW 18 mm,
class E 600, 4-fold bolted, 0,5 m

	Length mm	Width mm	Height mm	Weight kg	Item No.
Trash box with galvanised bucket, with ductile iron grating, black, SW 18 mm, class D 400, 4-fold bolted, 0,5 m	500	212	518	22,16	48854
Trash box with galvanised bucket, with ductile iron grating, black, SW 18 mm, class E 600, 4-fold bolted, 0,5 m	500	212	518	22,16	48853

RECYFIX® NC 150

End caps



End cap combined,
PP with outlet DN/OD 75/110
for type 01

	Length mm	Width mm	Height mm	Weight kg	Item No.
End cap combined, PP with outlet DN/OD 75/110 for type 01	-	210	218	0,14	40591

Further accessories

	Length mm	Width mm	Height mm	Weight kg	Item No.
Mud bucket vertical made of modified composite for outlet DN/OD 160, black	-	-	-	0,13	845
Universal sealant/adhesive Siga-Meltell® 320 black**	-	-	-	0,97	19051
Tubular pistol for universal sealant/adhesive Siga-Meltell® 320 black**	-	-	-	1,30	6891
Holesaw, Ø 102 mm, with tool holder for a driller	-	-	-	0,60	980

**Amount needed for Type 01: approx. 17 ml per joint

FASERFIX®
SUPER

FASERFIX®
KS

FASERFIX®
BIG-SLG

FASERFIX®
BIG-BLS

RECYFIX®
PLUS X

RECYFIX®
NC

RECYFIX®
MONOTEC

RECYFIX®
HICAP-F

FASERFIX®
POINT KS

FASERFIX®
TRAFFIC GUGIBLOC
RECYFIX®
TRAFFIC GUGIBLOC

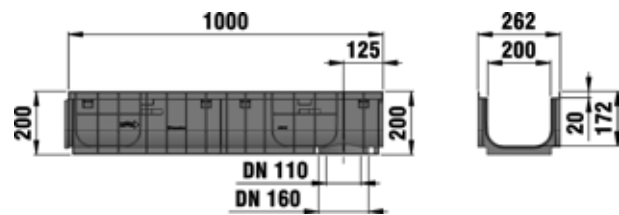
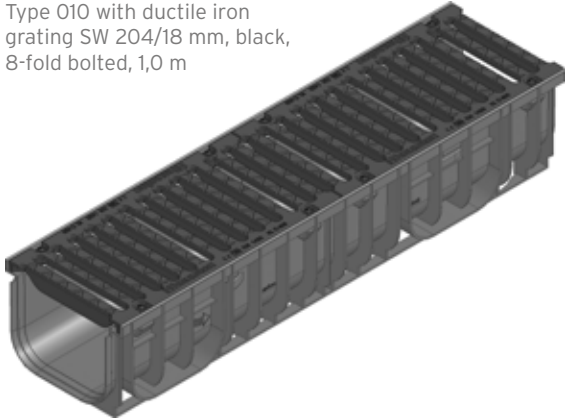
SERVICE
CHANNEL

RECYFIX®NC 200

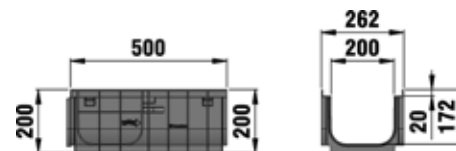
Combi article

RECYFIX®NC 200, class D 400

Type 010 with ductile iron grating SW 204/18 mm, black, 8-fold bolted, 1,0 m



Type 01005 with ductile iron grating, black, SW 204/18 mm, 4-fold bolted, 0,5 m

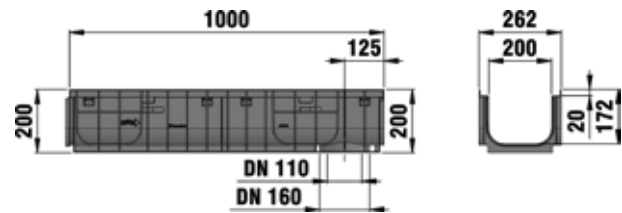
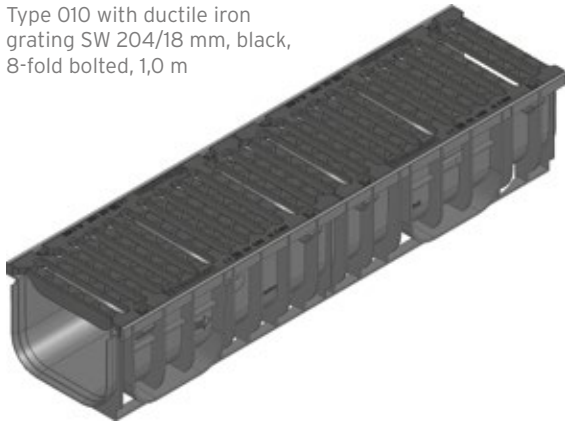


	Length mm	Width mm	Height mm	Internal channel cross-sect. cm ²	Intake cross-sect. cm ² /m	Weight kg	Item No.
Type 010 with ductile iron grating SW 204/18 mm, black, 8-fold bolted, 1,0 m	1000	262	200	294	936	20,75	49573
Type 01005 with ductile iron grating, black, SW 204/18 mm, 4-fold bolted, 0,5 m	500	262	200	294	936	10,38	49548

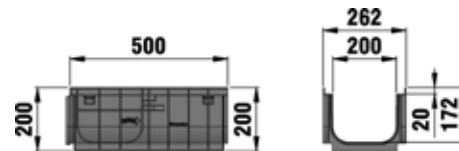
RECYFIX® NC 200

RECYFIX® NC 200, class E 600

Type 010 with ductile iron grating SW 204/18 mm, black, 8-fold bolted, 1,0 m



Type 01005 with ductile iron grating, black, SW 204/18 mm, 4-fold bolted, 0,5 m



	Length mm	Width mm	Height mm	Internal channel cross-sect. cm ²	Intake cross-sect. cm ² /m	Weight kg	Item No.
Type 010 with ductile iron grating SW 204/18 mm, black, 8-fold bolted, 1,0 m	1000	262	200	294	936	20,76	49572
Type 01005 with ductile iron grating, black, SW 204/18 mm, 4-fold bolted, 0,5 m	500	262	200	294	936	10,38	49547

FASERFIX®
SUPER

FASERFIX®
KS

FASERFIX®
BIG-SLG

FASERFIX®
BIG-BLS

RECYFIX®
PLUS X

RECYFIX®
NC

RECYFIX®
MONOTEC

RECYFIX®
HICAP-PF

FASERFIX®
POINT KS

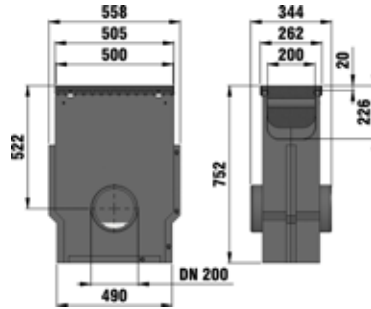
FASERFIX®
TRAFFIC GUGIBLOC
RECYFIX®
TRAFFIC GUGIBLOC

SERVICE
CHANNEL

RECYFIX® NC 200

Accessories

Trash boxes



Trash box with galvanised bucket,
with ductile iron grating, black, SW 18 mm,
class E 600, 4-fold bolted, 0,5 m

	Length mm	Width mm	Height mm	Weight kg	Item No.
Trash box with galvanised bucket, with ductile iron grating, black, SW 18 mm, class D 400, 4-fold bolted, 0,5 m	500	262	752	35,20	49554
Trash box with galvanised bucket, with ductile iron grating, black, SW 18 mm, class E 600, 4-fold bolted, 0,5 m	500	262	752	35,20	49553

End caps



End cap combined
made of PP closed / with outlet
DN/OD 110, type 010

	Length mm	Width mm	Height mm	Weight kg	Item No.
End cap combined made of PP closed / with outlet DN/OD 110, type 010	-	258	217	0,20	41387

RECYFIX® NC 200

Further accessories

	Length mm	Width mm	Height mm	Weight kg	Item No.
Universal sealant/adhesive Siga-Meltell® 320 black**	-	-	-	0,97	19051
Tubular pistol for universal sealant/adhesive Siga-Meltell® 320 black**	-	-	-	1,30	6891
Holesaw, Ø 102 mm, with tool holder for a driller	-	-	-	0,60	980

**Amount needed for Type 010: approx. 18 ml per joint

FASERFIX®
SUPER

FASERFIX®
KS

FASERFIX®
BIG SLG

FASERFIX®
BIG BLS

RECYFIX®
PLUS X

RECYFIX®
NC

RECYFIX®
MONOTEC

RECYFIX®
HICAP-PF

FASERFIX®
POINT KS

FASERFIX®
TRAFFIC GUGIBLOC
RECYFIX®
TRAFFIC GUGIBLOC

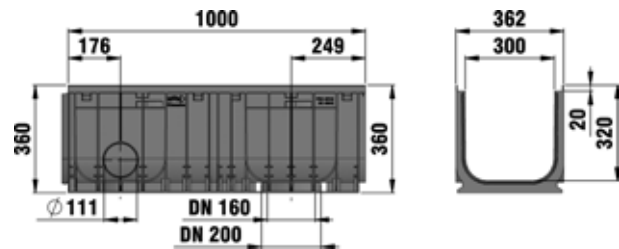
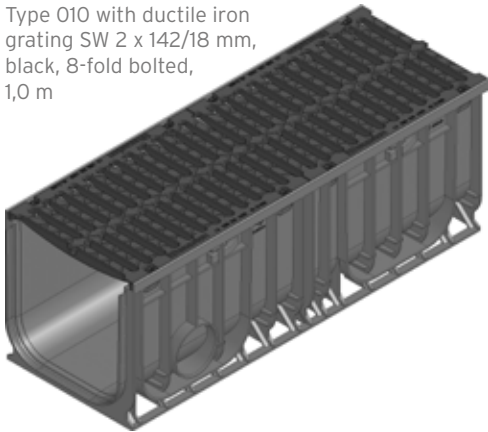
SERVICE
CHANNEL

RECYFIX®NC 300

Combi article

RECYFIX®NC 300, class D 400

Type 010 with ductile iron grating SW 2 x 142/18 mm, black, 8-fold bolted, 1,0 m



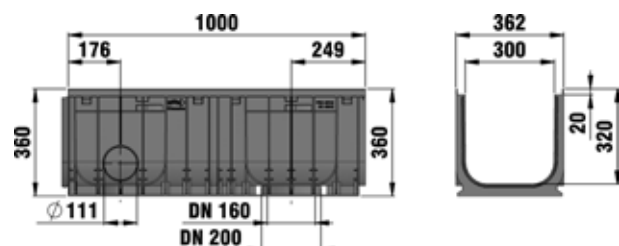
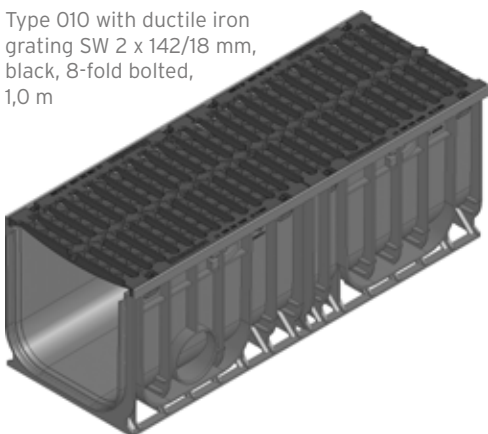
Length mm	Width mm	Height mm	Internal channel cross-sect. cm ²	Intake cross-sect. cm ² /m	Weight kg	Item No.
--------------	-------------	--------------	---	---	--------------	-------------

Type 010 with ductile iron grating SW 2 x 142/18 mm, black, 8-fold bolted, 1,0 m

1000	362	360	873	1293	34,65	49873
------	-----	-----	-----	------	-------	-------

RECYFIX®NC 300, class E 600

Type 010 with ductile iron grating SW 2 x 142/18 mm, black, 8-fold bolted, 1,0 m



Length mm	Width mm	Height mm	Internal channel cross-sect. cm ²	Intake cross-sect. cm ² /m	Weight kg	Item No.
--------------	-------------	--------------	---	---	--------------	-------------

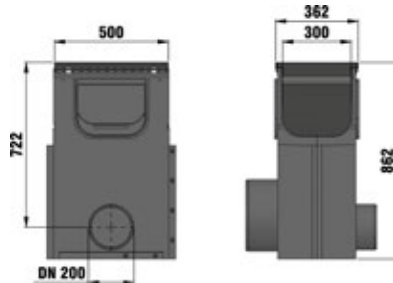
Type 010 with ductile iron grating SW 2 x 142/18 mm, black, 8-fold bolted, 1,0 m

1000	362	360	873	1293	35,00	49872
------	-----	-----	-----	------	-------	-------

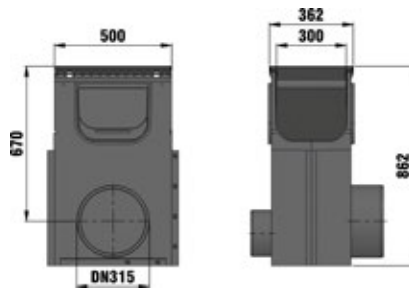
RECYFIX® NC 300

Accessories

Trash boxes



Trash box with galvanised mud bucket and ductile iron grating, SW 18 mm, black, class D 400, with PVC-U pipe outlet DN/OD 200, locked, 0,5 m



Trash box with galvanised mud bucket and Ductile iron grating, SW 18 mm, black, class E 600, with PVC-U pipe outlet DN/OD 315, locked, 0,5 m

	Length mm	Width mm	Height mm	Weight kg	Item No.
Trash box with galvanised mud bucket and ductile iron grating, SW 18 mm, black, class D 400, with PVC-U pipe outlet DN/OD 200, locked, 0,5 m	500	362	862	50,46	32330
Trash box with galvanised mud bucket and Ductile iron grating, SW 18 mm, black, class D 400, with PVC-U pipe outlet DN/OD 315, locked, 0,5 m	500	362	862	50,46	32337
Trash box with galvanised mud bucket and Ductile iron grating, SW 18 mm, black, class E 600, with PVC-U pipe outlet DN/OD 200, locked, 0,5 m	500	362	862	50,47	32331
Trash box with galvanised mud bucket and Ductile iron grating, SW 18 mm, black, class E 600, with PVC-U pipe outlet DN/OD 315, locked, 0,5 m	500	362	862	50,47	32338

FASERFIX®
SUPER

FASERFIX®
KS

FASERFIX®
BIG-SLG

FASERFIX®
BIG-BLS

RECYFIX®
PLUS X

RECYFIX®
NC

RECYFIX®
MONOTEC

RECYFIX®
HICAP-F

FASERFIX®
POINT KS

FASERFIX®
TRAFFIC GUGIBLOC
RECYFIX®
TRAFFIC GUGIBLOC

SERVICE
CHANNEL

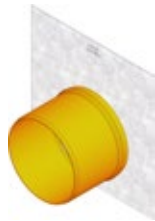
RECYFIX® NC 300

Accessories

End caps



End cap closed, galvanised, type 010



End cap with horizontal PVC-U pipe outlet DN/OD 200, galvanised, type 010

	Length mm	Width mm	Height mm	Weight kg	Item No.
End cap closed, galvanised, type 010	-	360	360	1,87	49783
End cap with horizontal PVC-U pipe outlet DN/OD 200, galvanised, type 010	-	360	360	2,55	49791

RECYFIX® NC 300

Further accessories

	Length mm	Width mm	Height mm	Weight kg	Item No.
Universal sealant/adhesive Siga-Meltell® 320 black**	-	-	-	0,97	19051
Tubular pistol for universal sealant/adhesive Siga-Meltell® 320 black**	-	-	-	1,30	6891
Holesaw, Ø 102 mm, with tool holder for a driller	-	-	-	0,60	980

**Amount needed for Type 010: approx. 32 ml per joint

FASERFIX®
SUPER

FASERFIX®
KS

FASERFIX®
BIG SLG

FASERFIX®
BIG BLS

RECYFIX®
PLUS X

RECYFIX®
NC

RECYFIX®
MONOTEC

RECYFIX®
HICAP-PF

FASERFIX®
POINT KS

FASERFIX®
TRAFFIC GUGIBLOC
RECYFIX®
TRAFFIC GUGIBLOC

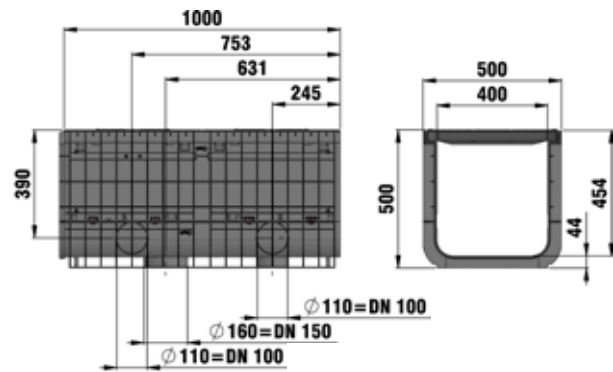
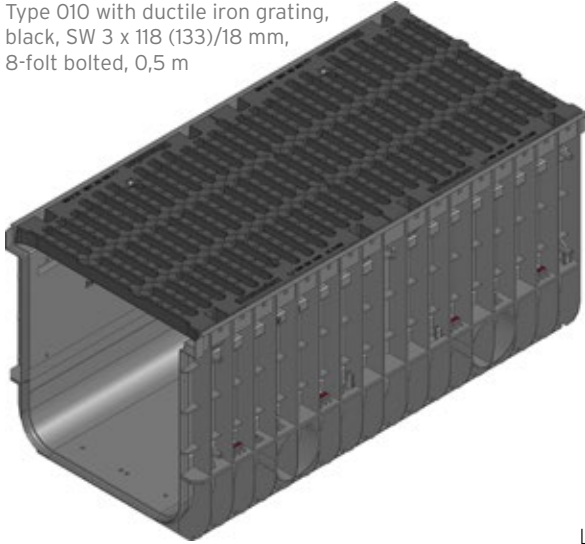
SERVICE
CHANNEL

RECYFIX®NC 400

Combi article

RECYFIX®NC 400, class D 400

Type 010 with ductile iron grating, black, SW 3 x 118 (133)/18 mm, 8-folt bolted, 0,5 m



	Length mm	Width mm	Height mm	Internal channel cross-sect. cm ²	Intake cross-sect. cm ² /m	Weight kg	Item No.
Type 010 with ductile iron grating, black, SW 3 x 118 (133)/18 mm, 8-folt bolted, 0,5 m	1000	500	500	1640	1753	57,15	42421

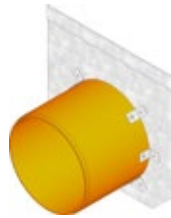
RECYFIX® NC 400

Accessories

End caps



End cap closed, galvanised, type 010



End cap with horizontal PVC-U pipe outlet DN/OD 315, galvanised, type 010

	Length mm	Width mm	Height mm	Weight kg	Item No.
End cap closed, galvanised, type 010	-	500	498	3,79	42481
End cap closed, stainless steel, type 010	-	500	498	3,20	42482
End cap with horizontal PVC-U pipe outlet DN/OD 315, galvanised, type 010	-	500	498	4,87	42487
End cap with horizontal PVC-U pipe outlet DN/OD 315, stainless steel, type 010	-	500	498	4,87	42488

The quality of stainless steel material corresponds to CNS 1.4301 or CNS 1.4307.

Further accessories

	Length mm	Width mm	Height mm	Weight kg	Item No.
Universal sealant/adhesive Siga-Meltell® 320 black**	-	-	-	0,97	19051
Tubular pistol for universal sealant/adhesive Siga-Meltell® 320 black**	-	-	-	1,30	6891
Holesaw, Ø 102 mm, with tool holder for a driller	-	-	-	0,60	980

**Amount needed for Type 010: approx. 32 ml per joint